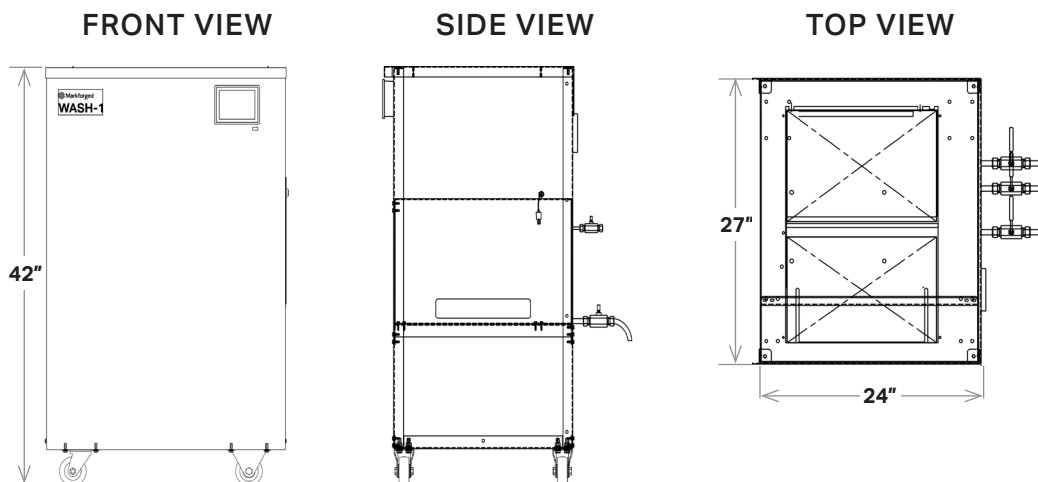


PRODUCT SPECIFICATIONS

# Wash-1

The first step in transforming a printed “green” part into fully dense metal is debinding. The Wash-1 immerses the green part in a specialized fluid which dissolves the primary binding material, leaving the part semi-porous so the remaining binder can easily burn off during sintering. This debinding step purifies the final metal part and helps keep your sintering furnace clean.

<b>Debinder Properties</b>	<b>Materials Supported</b>	All metals
	<b>Fluid (Solvent)</b>	Opteon SF79
	<b>Controller</b>	Integrated control system
	<b>Workholding</b>	Stainless steel basket
	<b>Washing Size</b>	356 x 254 x 203 mm (14 x 10 x 8 in)
	<b>Washing Volume</b>	18,356 cm <sup>3</sup> (1,120 in <sup>3</sup> )
<b>Safety &amp; Installation</b>	<b>Environmental Req.</b>	External exhaust
	<b>Safety Control</b>	Low fluid shutoff control High vapor pressure shutoff control
	<b>Regulatory</b>	Refer to MSDS
	<b>Emissions</b>	Low emission design to conserve solvent
	<b>Power</b>	120/240 VAC single phase, 15 A / 1,650 W peak draw
	<b>Physical Dimensions</b>	<b>External Dimensions</b>
<b>Weight</b>		136 kg (300 lbs)



**Note:** All specifications are approximate and subject to change without notice.